

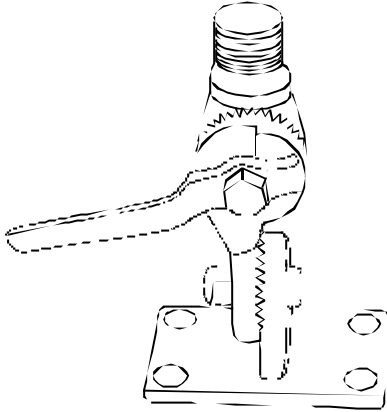


# M O O N R A K E R

## Swingdown Mounts

For variable angle mounting of antennas, etc.

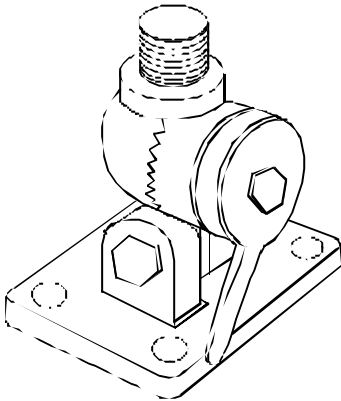
### Stainless Steel Mount



Designed to permit continuous adjustment of mounting angle for antennas up to 4.6 m (15ft) or any other mounting situation where angle adjustment is required. For 5.5m (18ft) antennas (maximum height) an additional supporting gate end mount is necessary to give adequate support.

This mount is both compact and sturdy. Both the mount and fittings are constructed of stainless steel 316 alloy. The antenna is easily locked into position by a heavy duty ratchet and handle. It may be mounted unobtrusively on deck or cabinside. The continuous angle adjustment in 10 steps permits the antenna to be lowered when passing under bridges or to be stored horizontally when not in use, thus being especially suitable for pleasure and trailed craft.

### Nylon Mount



Designed to permit mounting in any position with a quick action release handle to lay the antenna down for antennas up to 2.6 metres (9 ft).

Constructed from heavy duty high quality nylon, this mount is pressure injection moulded and has a double knuckle joint permitting adjustment in two planes.

## Specifications

Type	Stainless Steel Mount	Nylon Mount
Overall Height	150mm (5.9 in)	123mm (4.8 in)
Overall Length	143mm including handle (5.6in)	126mm (5 in)
Length (Base)	92mm (3.6 in)	92mm (3.6 in)
Width (Base)	56mm (2.2 in)	65mm (2.6 in)
Mountings	Fitted with a threaded 25.4mm (1 in) 14TPI stainless steel stud to suit antenna base; requires four 6mm (1/4in) countersunk head screws (not supplied); side or base mounting	Fitted with a threaded 25.4mm (1 in) 14TPI stud to suit antenna base; requires four 6mm (1/4in) countersunk head screws (not supplied)
Packed Weight	0.94 (2.1 lbs)	0.5 kg (1.1 lbs)

Specifications subject to change 11/01

Moonraker Australia Pty. Ltd. A.B.N. 57 009 531 211

Tasmania Technopark, Dowsing Point 7010, Tasmania Australia

Website: www.moonraker.com.au Telephone 61 (0)3 6273 1533 Fax: 61 (0)3 6273 1749 Email: radiocom@moonraker.com.au

# **SWINGDOWN MOUNT INSTALLATION INSTRUCTIONS**

## **Mounting**

- 1. Use the mount as a template to mark the position of the mounting holes.**
- 2. Drill holes in the marked positions: 6.4mm (1/4 in).**
- 3. Reinforce thin decks with metal or wooden backing plate.**
- 4. Bolt the mount in position.**