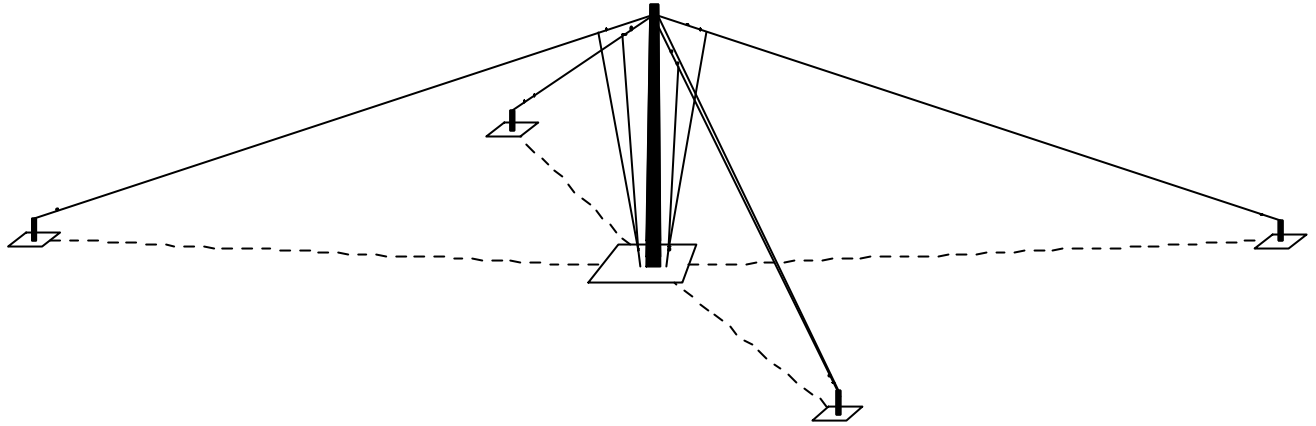


M O O N R A K E R

Type OV2-30

Broadband HF base station antenna system



The Type OV2-30 is an omnidirectional wire antenna system that covers a base area of approximately 7200 sq m. (85 x 85) with a central mast approximately 20 metres tall. It has a continuous power supply capability of up to 1kW in the frequency range 2 to 30 MHz. It is designed to provide efficient and reliable communications in the professional/military services and is normally custom configured to suit site and communications parameters.

The antenna functions as a phased array of four grounded delta loops arranged symmetrically around a central support mast and consists of a combination of vertical; and sloping elements which provide omnidirectional radiation at angles suitable for short, medium and long range communications. A central mast and 4 terminating posts support the system. The outer posts also contain the terminators and outer ground radial connections. The feed point and inner ground radial connections are located at the base of the central main mast.

The main mast is normally self-supporting and constructed of tapered, tubular galvanized steel. Options include climbing rungs, safety rail and harness, and a lightning conductor located at the top to provide umbrella protection for the entire system. Further lightning protection units are included at the feed point. It is also possible to use a guyed central mast providing RF transparent guy wires are utilised.

SPECIFICATIONS

Frequency Range	2 to 30 MHz with SWR <2:0:1
Approximate overall dimensions	85 x 85 x 20 metres
Radiation Pattern	Omnidirectional: Short, medium and long range communications possible
Power Capability	1 kW continuous
Radiating elements	7/1.04 hard drawn copper
Connection	At base of central mast (to suit requirements)
Input Impedance	50 ohms (nominal)

Specifications subject to change 10/99

Moonraker Australia Pty. Ltd. A.C.N. 009 531 211

Tasmania Technopark, Dowsing Point 7010, Tasmania Australia

Telephone 61 (0)3 6273 1533 Fax: 61 (0)3 6273 1749 Email: radiocom@moonraker.com.au