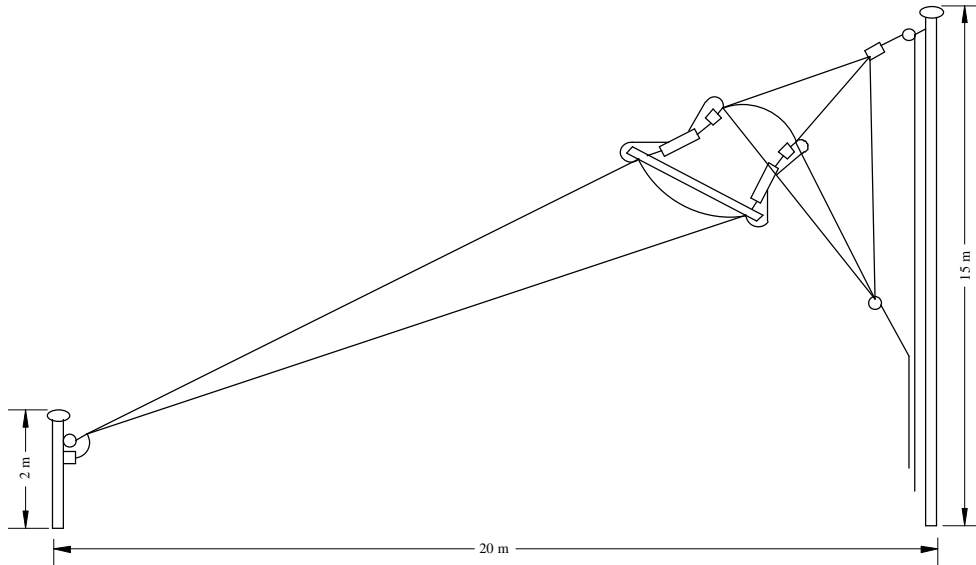




M O O N R A K E R

Type HFB D/S

HF semi delta base station antenna for short to medium range communications



The semi-delta antenna system is designed for base station use by professional and commercial users of the HF band where an economical broadband system is required. Being simple to erect it exhibits an omnidirectional high angle radiation pattern for communications up to 1700 kilometres, dependent upon ionospheric conditions.

Except for the main support mast, earth stake for the lower end and coaxial cable between the antenna and transceiver, the system is supplied complete with all hardware, transformer balun, and a halyard and pulley to raise the antenna on the main support mast. Cable and connectors are available on request. The main mast may be provided by a free standing guyed mast, a windmill tower, or similar suitable support structure. The antenna should be erected over clear ground. It is not normally suited to roof top installations.

SPECIFICATIONS

Frequency Range	2-14 MHz
Pattern	High angle omnidirectional (azimuth plane)
Impedance	50 (nominal)
VSWR	1.8:1, 2.5:1 maximum, dependent upon earth conditions
Radiation Pattern	High angle omnidirectional (azimuth)
Power Capability	150W CW/400w PEP, higher power to order
Connection	UHF socket on connection box at lower end
Packed Weight	9 kg (19.8 lbs)

Specifications subject to change 11/09

Moonraker Australia Pty. Ltd. A.B.N. 57 009 531 211

Tasmania Technopark, Dowsing Point 7010, Tasmania Australia

Website: www.moonraker.com.au Telephone 61 (0)3 6273 1533 Fax: 61 (0)3 6273 1749 Email: radiocom@moonraker.com.au