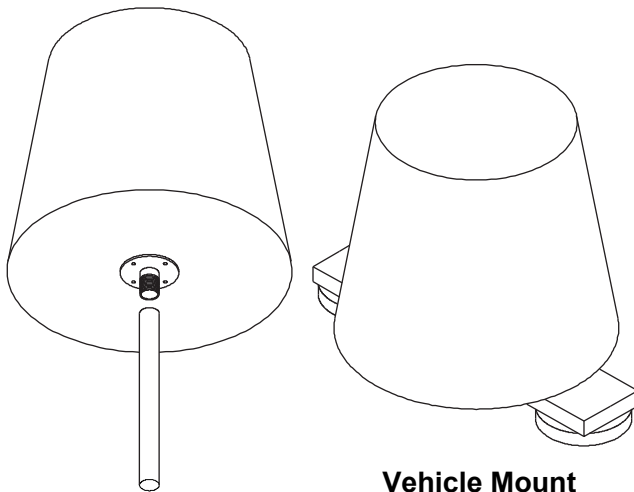


M O O N R A K E R

Type BDR2/400

Broadband Omnidirectional UHF Ground to Air System



Fixed Station

Vehicle Mount
(magnetic)

The BDR2/400 is designed to provide wideband omnidirectional communications over the 225-400 MHz military aviation tactical band, providing excellent ground to ground as well as ground/sea to air communications. It is designed to be used for mobile as well as for fixed station use.

The principle of operation is that of an omnidirectional ground independent wideband system comprising a solid conal type antenna housed within a radome. It has been designed to yield a low VSWR within this range with optimised radiation characteristics suited to ground to ground and ground to air operation.

Elevation patterns are consistent in character over the range, being similar to a $\frac{1}{4}$ wave vertical monopole.

The antenna is completely enclosed by a rugged radome, utilising a stainless steel threaded flange mount centrally located on the base. It is completely sealed against the ingress of water and insects. Mounting for fixed stations is via the short stainless steel mounting pole provided. For vehicle mounting a special magnetic mount base plate is an option.

Standard colour is drab olive (other colours to order).

Specifications

Frequency Range	225-400 MHz
Polarisation	Vertical linear
Gain	+2dBi minimum over frequency range
VSWR	<1.9:1 over frequency range
Impedance (output)	50 (nominal)
Power Capability	100w CW
Connection	short coaxial cable tail with N type connector
Overall Dimensions (approx)	335mm (13.2 in) (h) x 375mm (14.8 in) (dia)
Mounting Pole Length	300mm (11.8 in) long, 25.4mm (1 in) dia; mounting clamps not included
Vehicle Magnetic Mount	500 x 80mm bar with magnetic couplings each end
Wind Survival	160 km/h (100mph)
Weight (approx)	2kg (4.4 lbs)

Specifications subject to change 06/04

Moonraker Australia Pty. Ltd. A.B.N. 57 009 531 211

Tasmania Technopark, Dowsing Point 7010, Tasmania Australia

Website: www.moonraker.com.au Telephone 61 (0)3 6273 1533 Fax: 61 (0)3 6273 1749 Email: radiocom@moonraker.com.au